

4

3

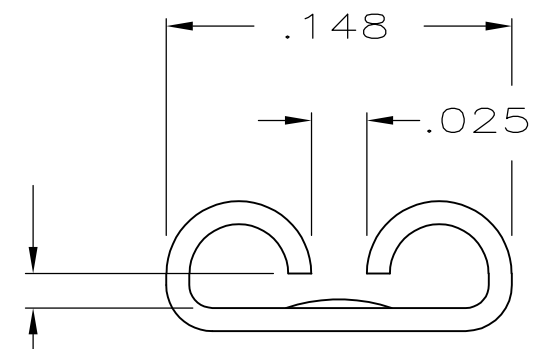
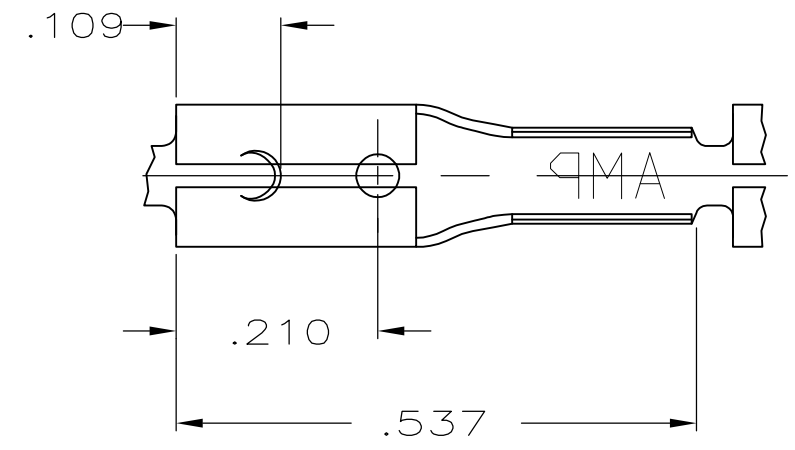
2

1

THIS DRAWING IS UNPUBLISHED. RELEASED FOR PUBLICATION
 © COPYRIGHT - By - ALL RIGHTS RESERVED.

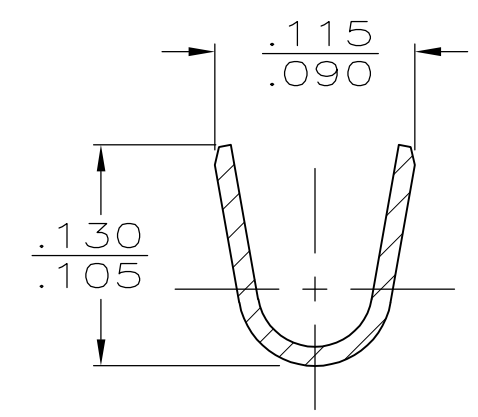
LOC	DIST	REVISIONS			
P	LTR	DESCRIPTION	DATE	DWN	APVD
AF	50	B	REVISED PER ECR-12-013445	18OCT12	KH PD

1 CONTINUOUS STRIP ON REELS.

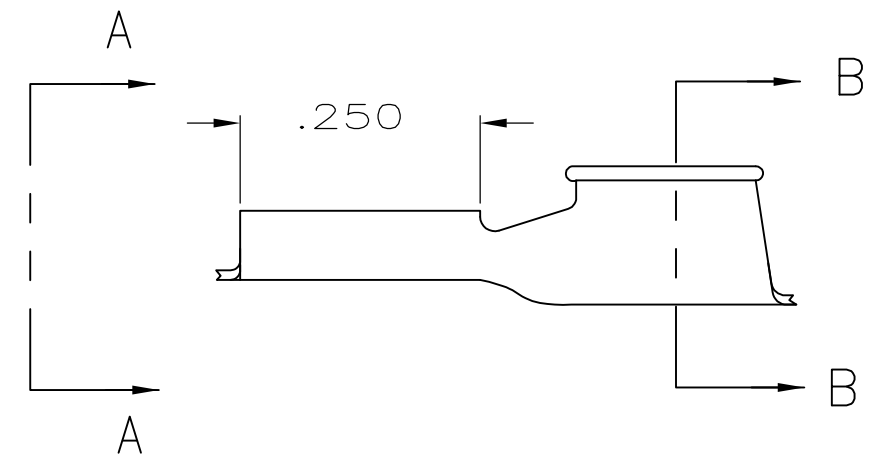


FITS .110 SERIES FASTON TAB

VIEW A-A



SECTION B-B



20-16	.020 ±.001	41500
WIRE SIZE	TAB THK.	PART NO.

THIS DRAWING IS A CONTROLLED DOCUMENT.		DWN KIRAN HOLAL 28DEC2012	TE Connectivity NAME .110 SERIES FASTON, RECEPTACLE				
DIMENSIONS: INCHES		CHK DESANTIS, PETER 28DEC2012					
		APVD DESANTIS, PETER 28DEC2012					
TOLERANCES UNLESS OTHERWISE SPECIFIED:		PRODUCT SPEC					
0 PLC ± - 1 PLC ± - 2 PLC ± - 3 PLC ± .015 4 PLC ± - ANGLES ± -		APPLICATION SPEC	SIZE	CAGE CODE	DRAWING NO	RESTRICTED TO	
MATERIAL BRASS		FINISH PRE-TIN	WEIGHT -	A3	00779	C-41500	-
CUSTOMER DRAWING			SCALE NTS	SHEET 1 OF 1	REV B		